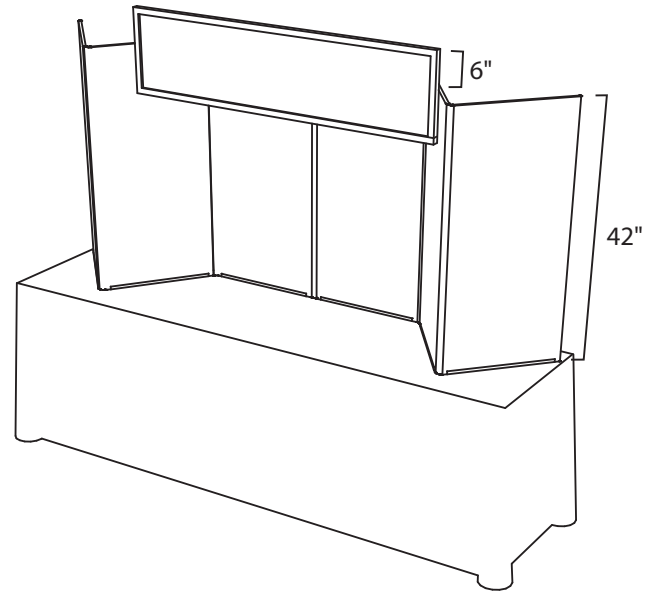
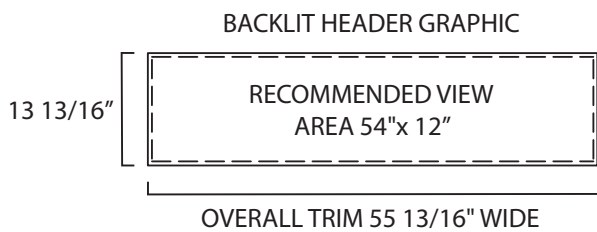
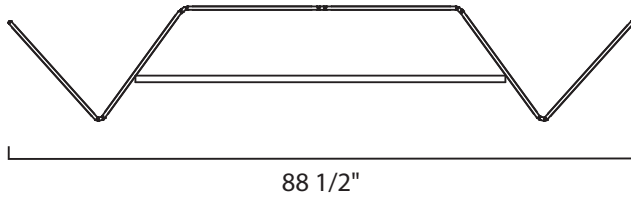


SPECIFICATIONS

NETWORK 95005



This is a folding panel display covered with Velcro compatible loop fabric.

The backlit header graphic is magnetically attached to the header frame that hangs from the panels. The center 54"x12" is the area of maximum visibility. The background should bleed out to the overall trim.

Please obtain complete Art Guidelines at:
www.downingdisplays.com

Questions?
 Please Call: **1-800-883-1800**

