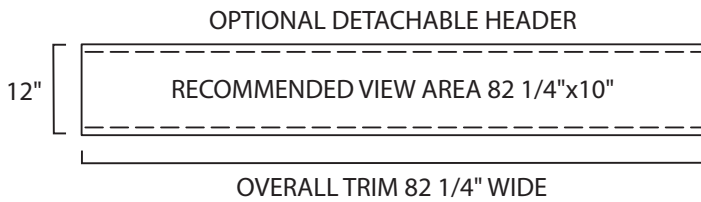
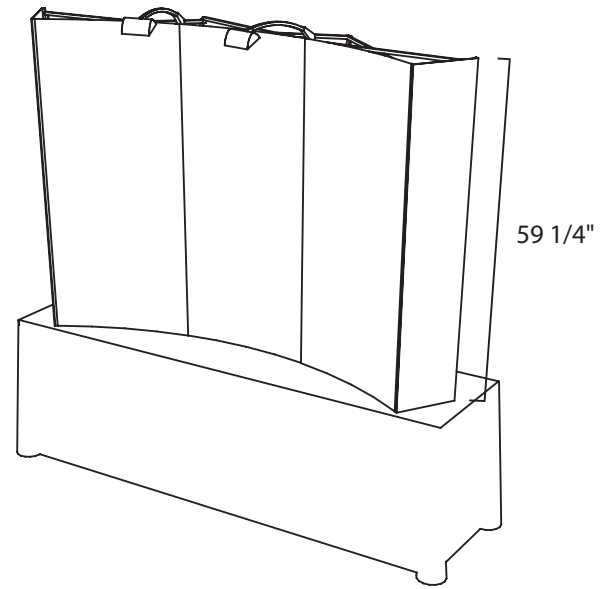
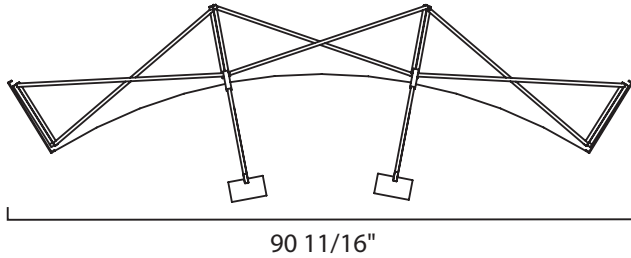


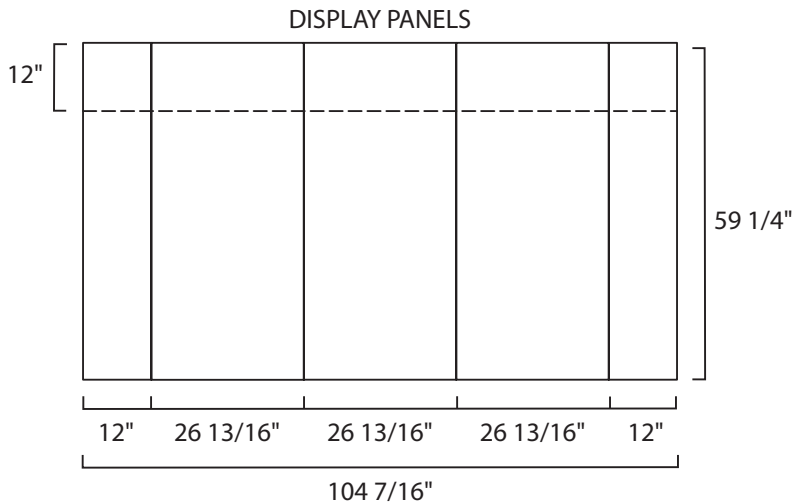
SPECIFICATIONS

NETWORK 97025



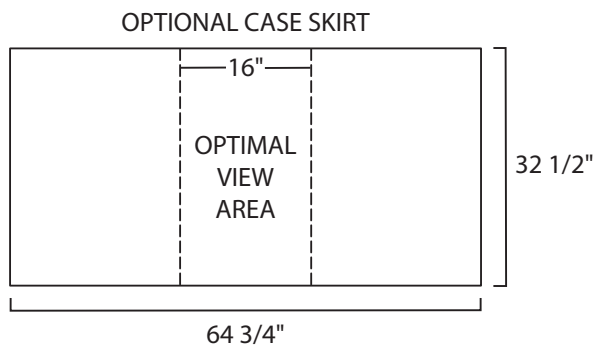
The far left and right panels fold flat to the back of the display.

Try to avoid placing text over seams as absolute perfect alignment cannot be guaranteed.



The optional detachable header graphic extends to the sides of the display. The center 82 1/4" w x 10" h is the area of maximum visibility. The background should bleed out to the overall trim.

The optional case skirt wraps around the 24" wide oval shipping case. Critical text should be placed in the center 16" for maximum visibility.



Please obtain complete Art Guidelines at:
www.downingdisplays.com

Questions?
Please Call: **1-800-883-1800**