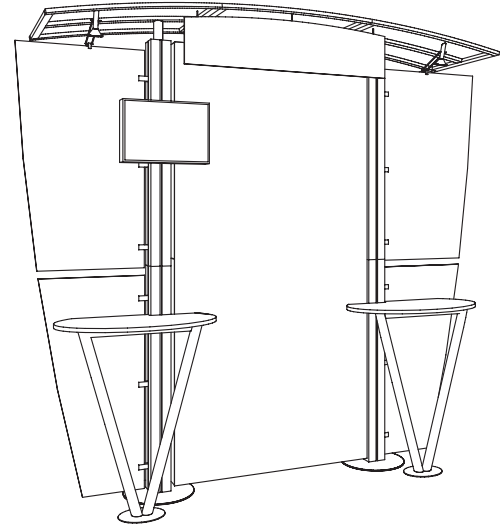
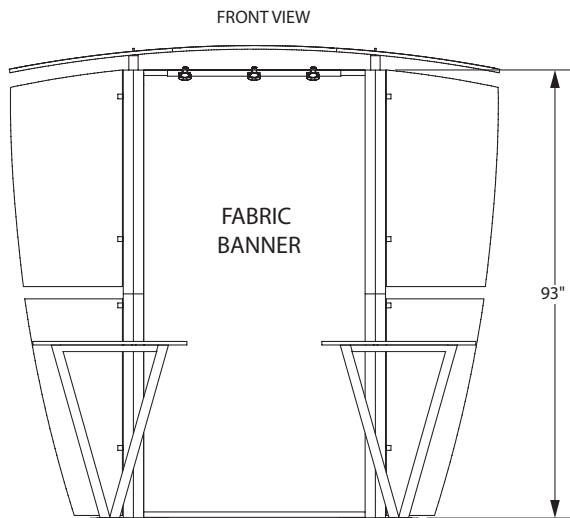
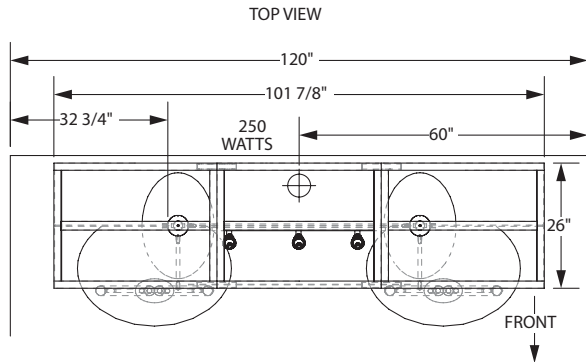


SPECIFICATIONS

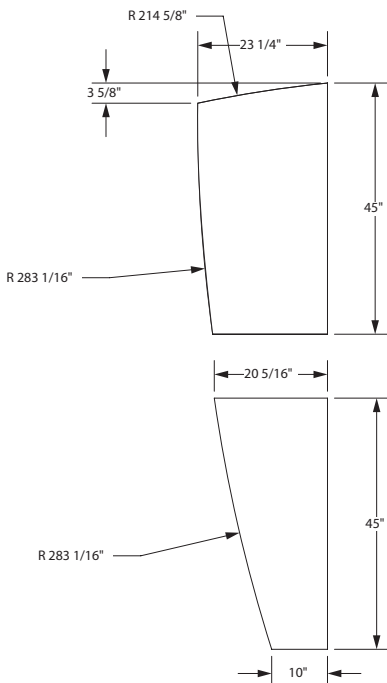
M-BEAM 99020



This is an M-Beam extruded aluminum display. It features four side panels of light gray composite material, other colors may be available. Any or all of these composite panels can be covered with full graphics; sizes are shown. Please allow a 1" bleed on all sides for these graphic panels.

The standard center panel is a fabric banner. This can be upgraded to a Reflections® backlit lightbox. Finished fabric banner dimensions are shown below. Art should accommodate a bleed of 3.25 inches on both ends for hemming of the pole pocket and 1" on each side. Thus, the required art size with bleed for the fabric banner is: 48" wide by 96.5" high.

The twin tables are 32" wide x 20" deep.



Please obtain complete Art Guidelines at: www.downingdisplays.com

Questions?
Please Call: **1-800-883-1800**